

GypWall CURVE is a cost-effective and easy to install system, can be applied in all types of buildings to deliver design flexibility and aesthetic impact.



Applications

A wide range of applications for areas that require freedom in design and adaptive to decor trends

Sector

- ✓ Residential
- ✓ Office
- ✓ Education
- ✓ Hotel
- ✓ Healthcare

Minimum bending radii and stud centres

| Board type | Thickness mm | Minimum radius * mm | Stud centres | Maximum height ** mm |
|----------------|--------------|---------------------|--------------|----------------------|
| Gyproc Classic | 9 | 1,800 | 300 | 3,400 |
| Gyproc Classic | 12.5 | 3,600 | 300 | 3,600 |
| Gyptone | 12.5 | 3,600 | 300 | 3600 |

Note:

*Concave or convex.

** Based on a limiting deflection of $L/240$ at 200 Pa, for VT V-Wall C75.

The quoted performances are achieved only if the system comprises only genuine branded Saint-Gobain Vietnam components: Gyproc plasterboards, Vinh Tuong metal framings, Vinh Tuong accessories, Gyp-Filler Jointing Compound and any other materials specified in the tested systems.



System components

Metal frame products



VT V-Wall
C75

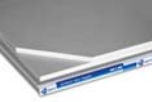


VT V-Wall
U76



VT Corner Bead

Board products



Gyproc Classic
9mm/12.5mm



Gyptone
12.5mm

Fixing and Finishing Products



VT Wafer Head Screws



VT Drywall Screw



Hilti Sealant CP 606



Gyp-Filler
Jointing Compound

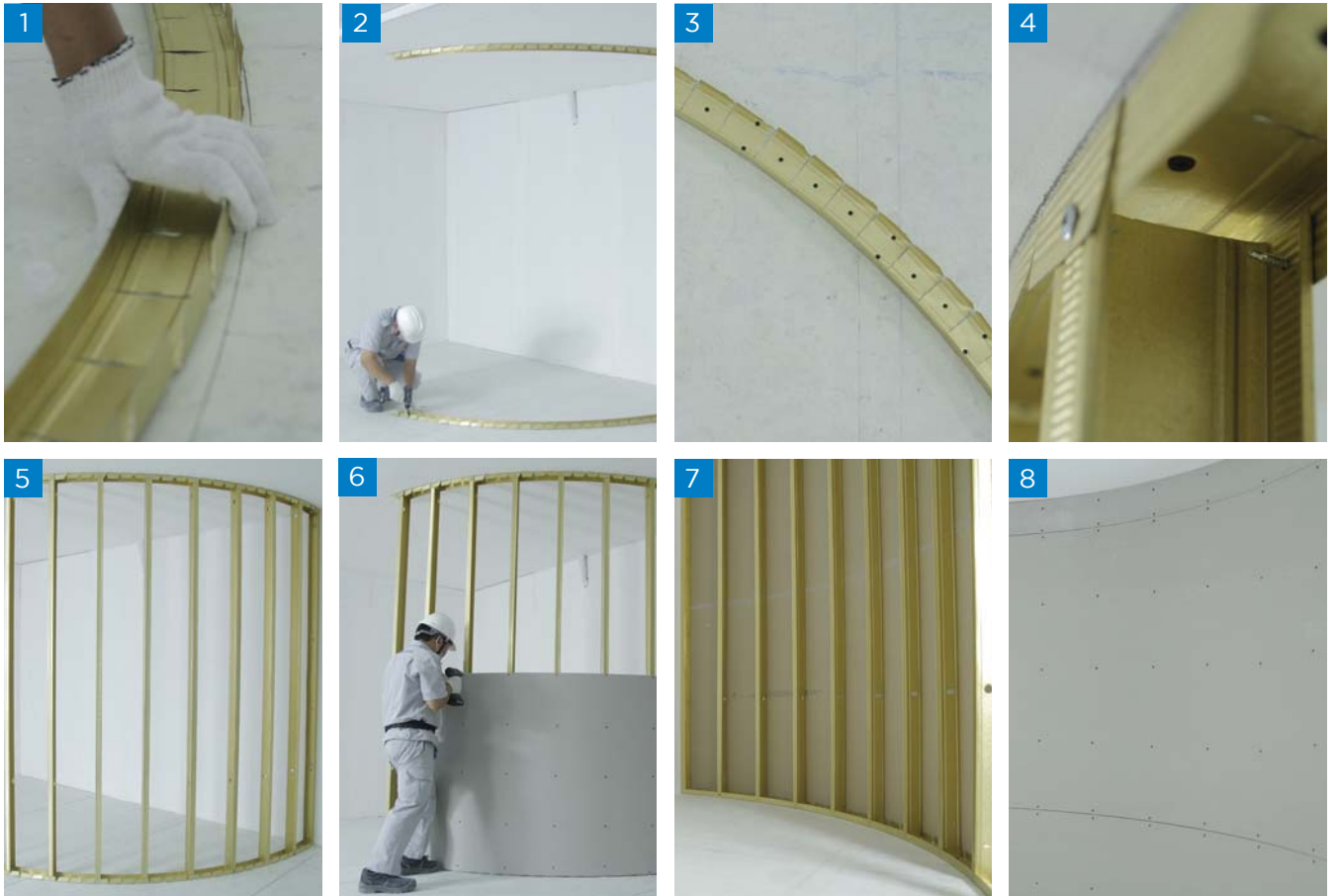


VT Paper Tape



Expansion Bolt

Installation overview



Appropriate VT V-Wall 'U' Track are pre-cut and bent to designed curve, fixed through to the floor and soffit at 300mm centres, by suitable fixing.

VT V-Wall 'C' Studs are suitably fixed to abutments then fixed to the 'U' Track at both head and base, and all must face to the same direction.

Fix boards horizontally. Stagger board joints and avoid joints occurring on the apex of the convex curve.

For double layer board linings, inner boards are fixed horizontally to all supports.

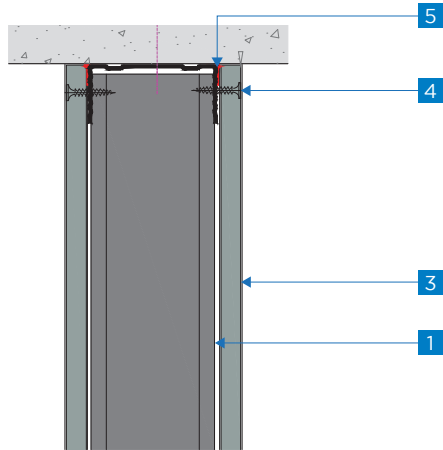
Face layer boards are fixed horizontally with joints staggered in relation to the first layer. Additional studs may be required where multiple layers are specified.

Seal any gaps up to 5mm with Hilti Sealant CP 606 or gaps up to 10mm (as maximum) with Gyp-Filler Jointing Compound.

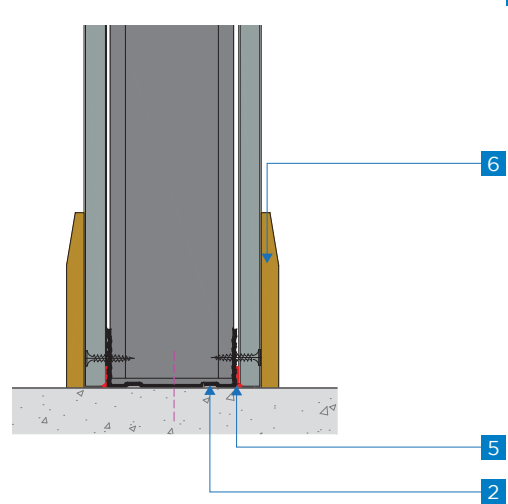
For full installation details, please refer to the Site Book.

Construction details

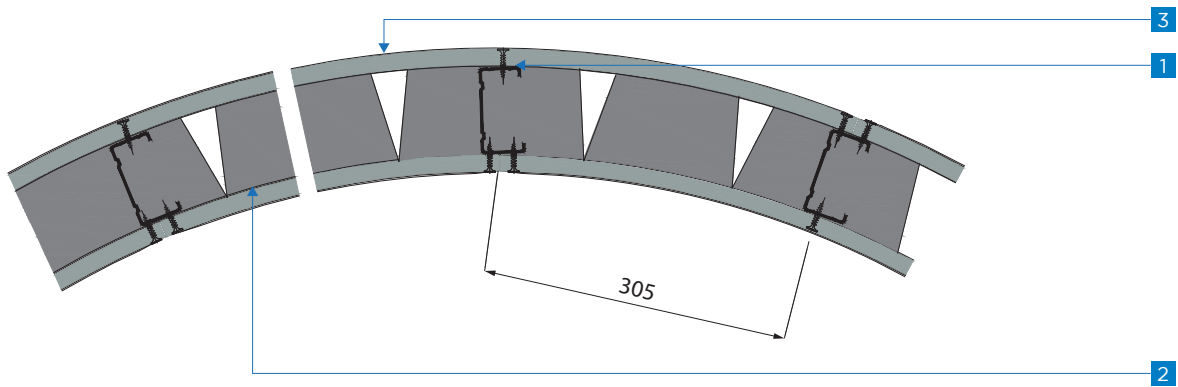
1 Head



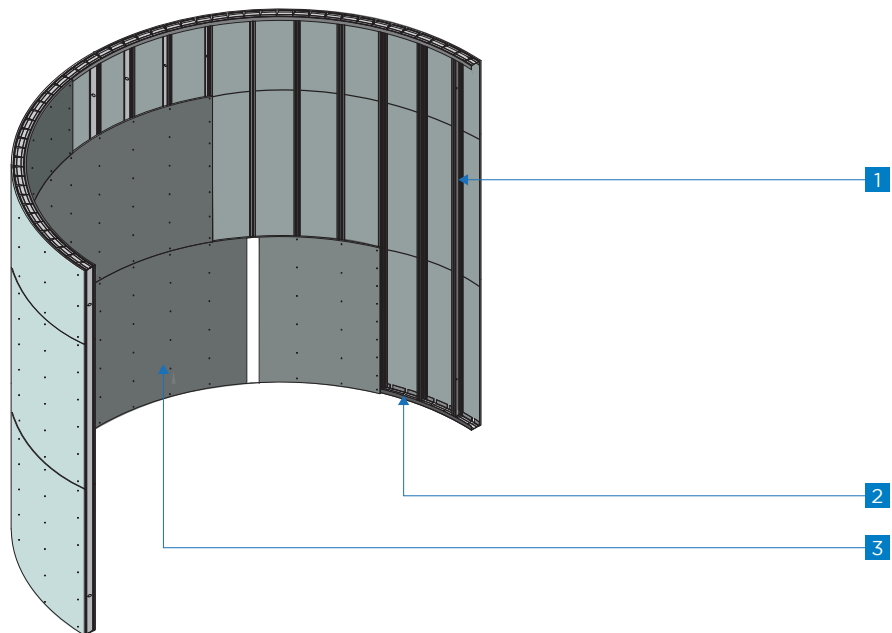
Base 2



3 Cross Section



4 Perspective



- 1 VT V-Wall 'C' Stud
- 2 VT V-Wall 'U' Track
- 3 Gyproc Plasterboard
- 4 VT Drywall Screw
- 5 Hilti Sealant CP-606
- 6 Skirting board (By other)