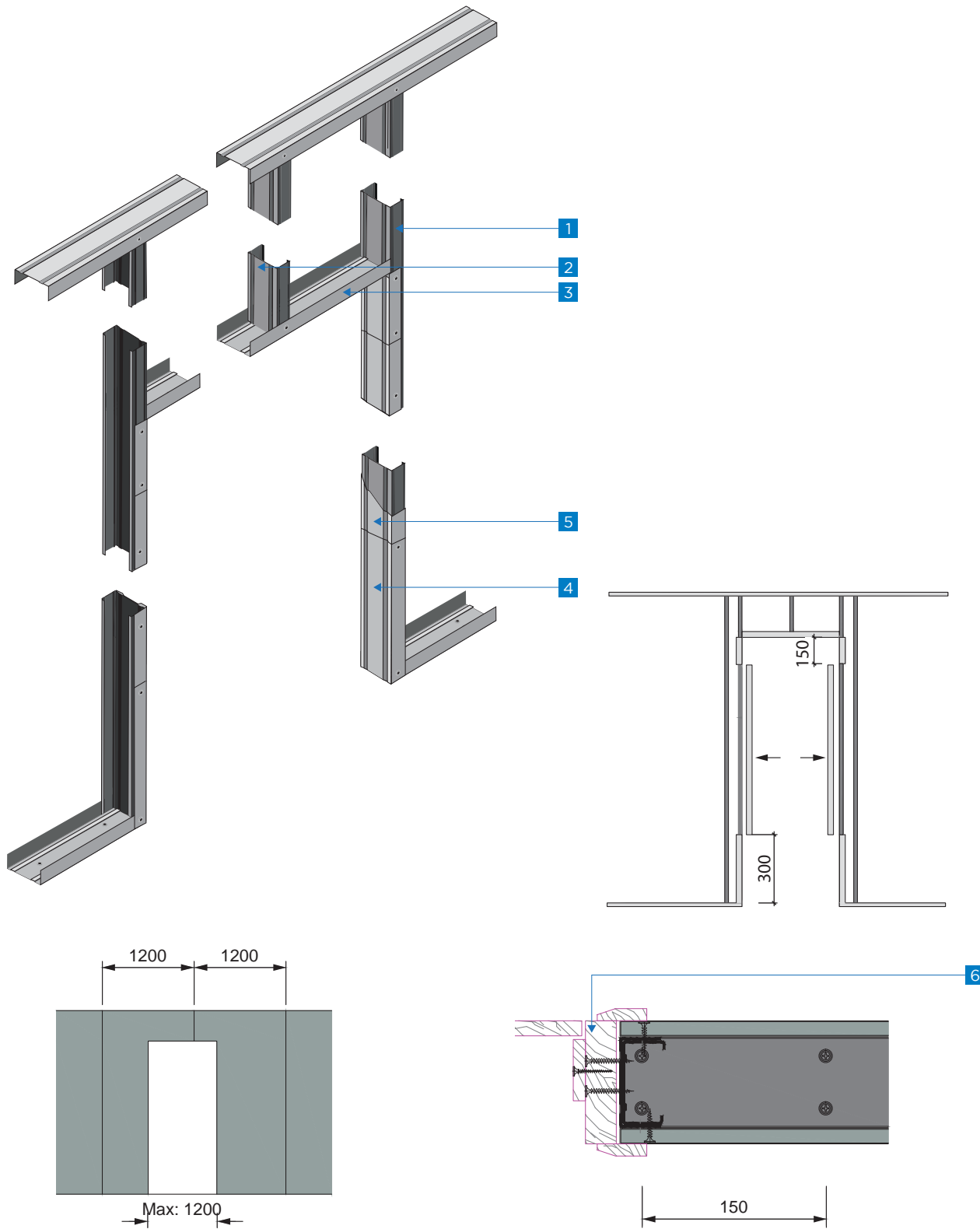


Typical Construction Details

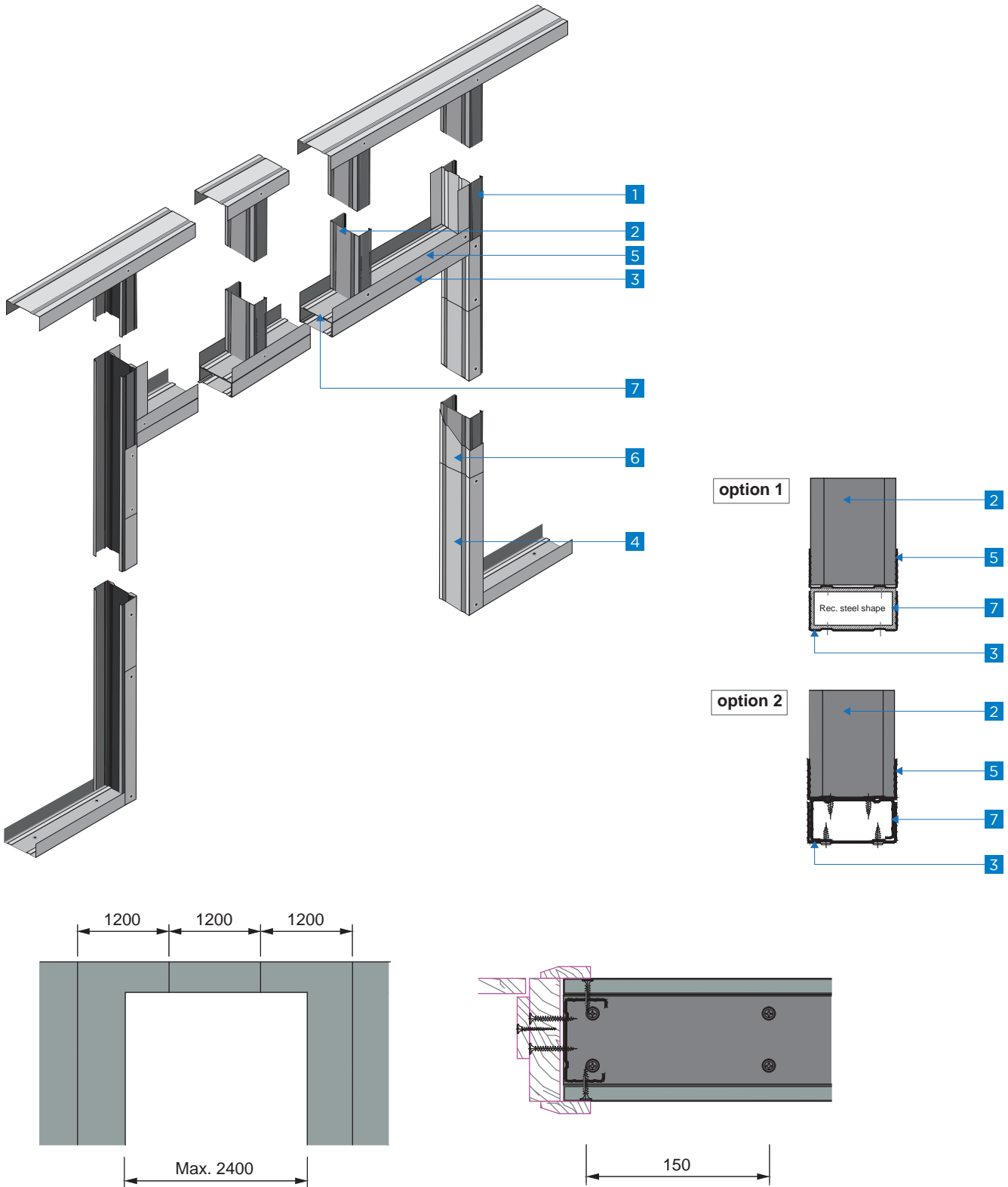
1. Door detail - width ≤ 1200



- 1 VT V-Wall 'C' Stud
- 2 VT V-Wall 'C' Stud to maintain stud module
- 3 VT V-Wall 'U' Track cut and bent down to form door head
- 4 VT V-Wall 'U' Track cut and bent up to sleeve studs
- 5 VT V-Wall 'U' Track to sleeve studs
- 6 Door frame

Typical Construction Details

2. Door detail - width:1200 - 2400

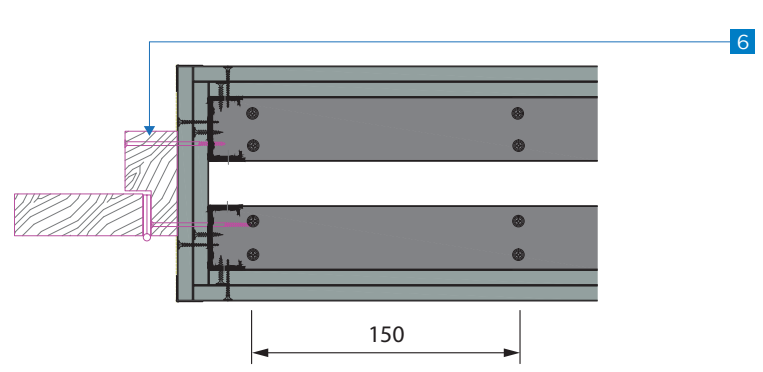
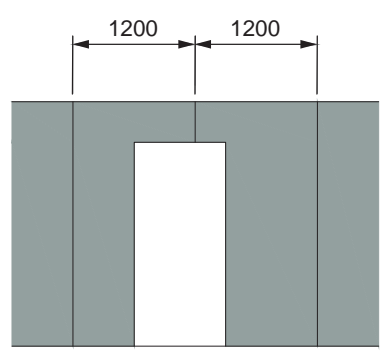
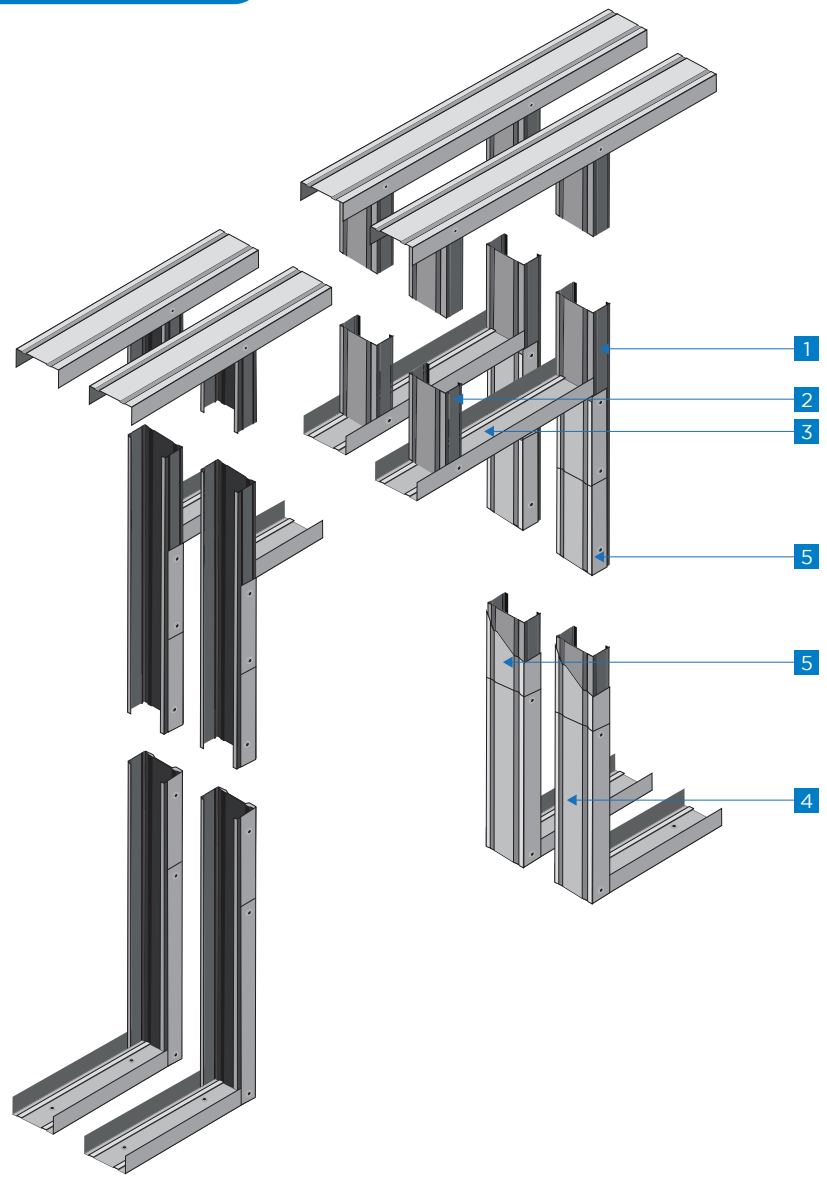


- 1 VT V-Wall 'C' Stud
- 2 VT V-Wall 'C' Stud to maintain stud module
- 3 VT V-Wall 'U' Track cut and bent down to form door head
- 4 VT V-Wall 'U' Track cut and bent up to sleeve studs
- 5 VT V-Wall 'U' Track cut and bent up to support 'C' Stud

- 6 VT V-Wall 'U' Track to sleeve studs
- 7 VT V-Wall 'C' Stud/ Steel box section built in VT V-Wall 'U' Track to reinforce door head

Typical Construction Details

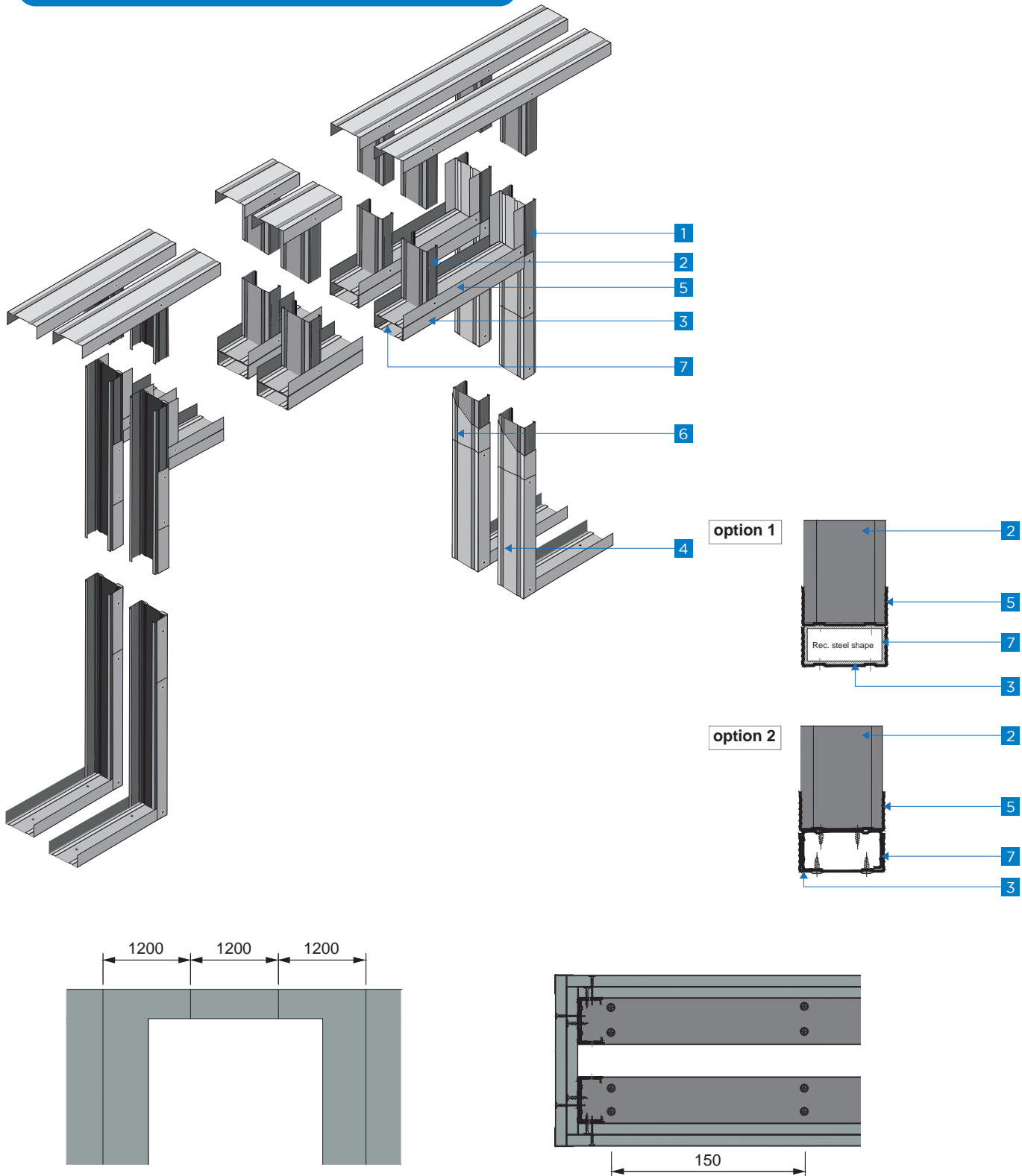
3. Twin frame door detail - width ≤ 1200



- 1 VT V-Wall 'C' Stud
- 2 VT V-Wall 'C' Stud to maintain stud module
- 3 VT V-Wall 'U' Track cut and bent down to form door head
- 4 VT V-Wall 'U' Track cut and bent up to sleeve studs
- 5 VT V-Wall 'U' Track to sleeve studs
- 6 Door frame

Typical Construction Details

4. Twin frame door detail - width: 1200 - 2400

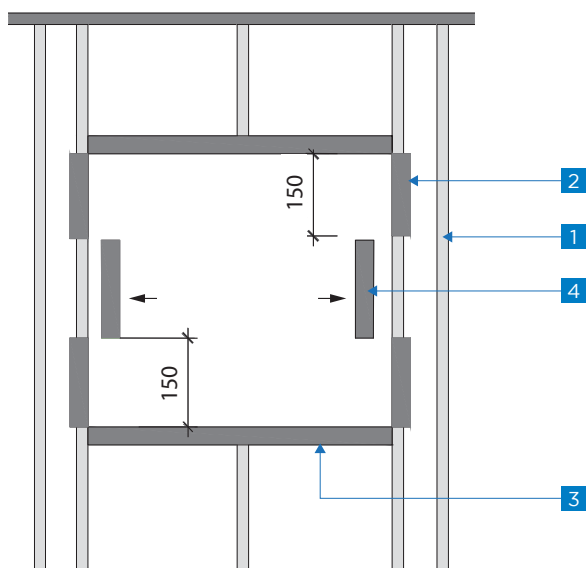


- 1 VT V-Wall 'C' Stud
- 2 VT V-Wall 'C' Stud to maintain stud module
- 3 VT V-Wall 'U' Track cut and bent down to form door head
- 4 VT V-Wall 'U' Track cut and bent up to sleeve studs
- 5 VT V-Wall 'U' Track cut and bent up to support 'C' Stud

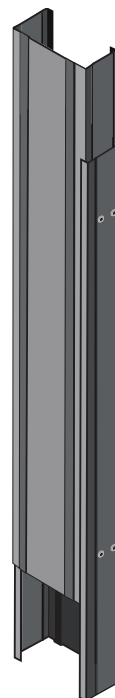
- 6 VT V-Wall 'U' Track to sleeve studs
- 7 VT V-Wall 'C' Stud/ Steel box section built in VT V-Wall 'U' Track to reinforce door head

Typical Construction Details

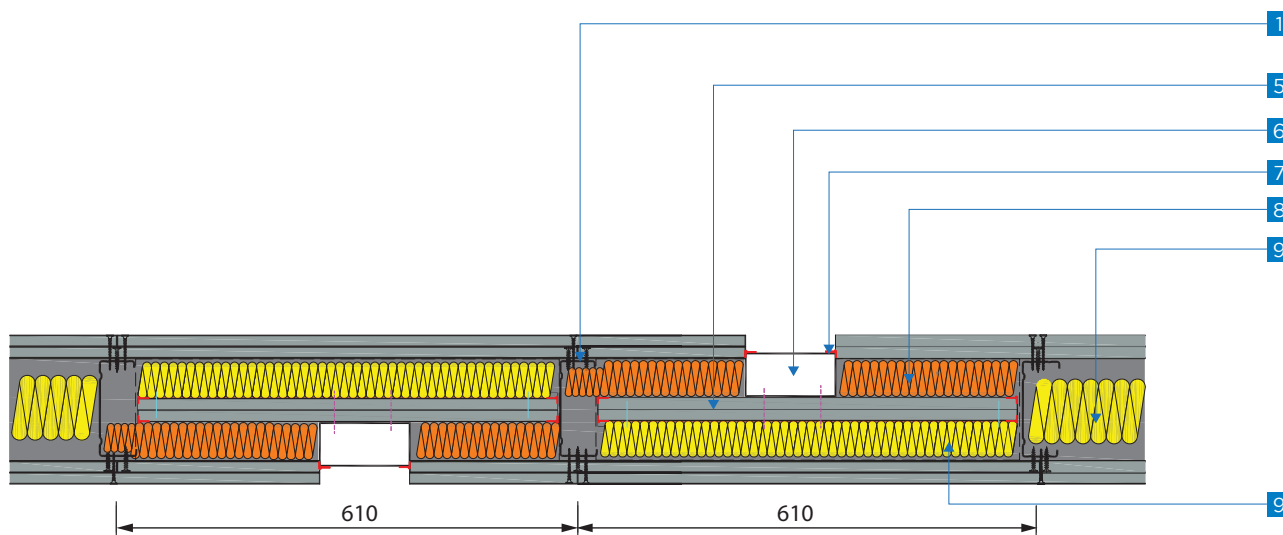
5. Window detail



6. Stud splicing detail



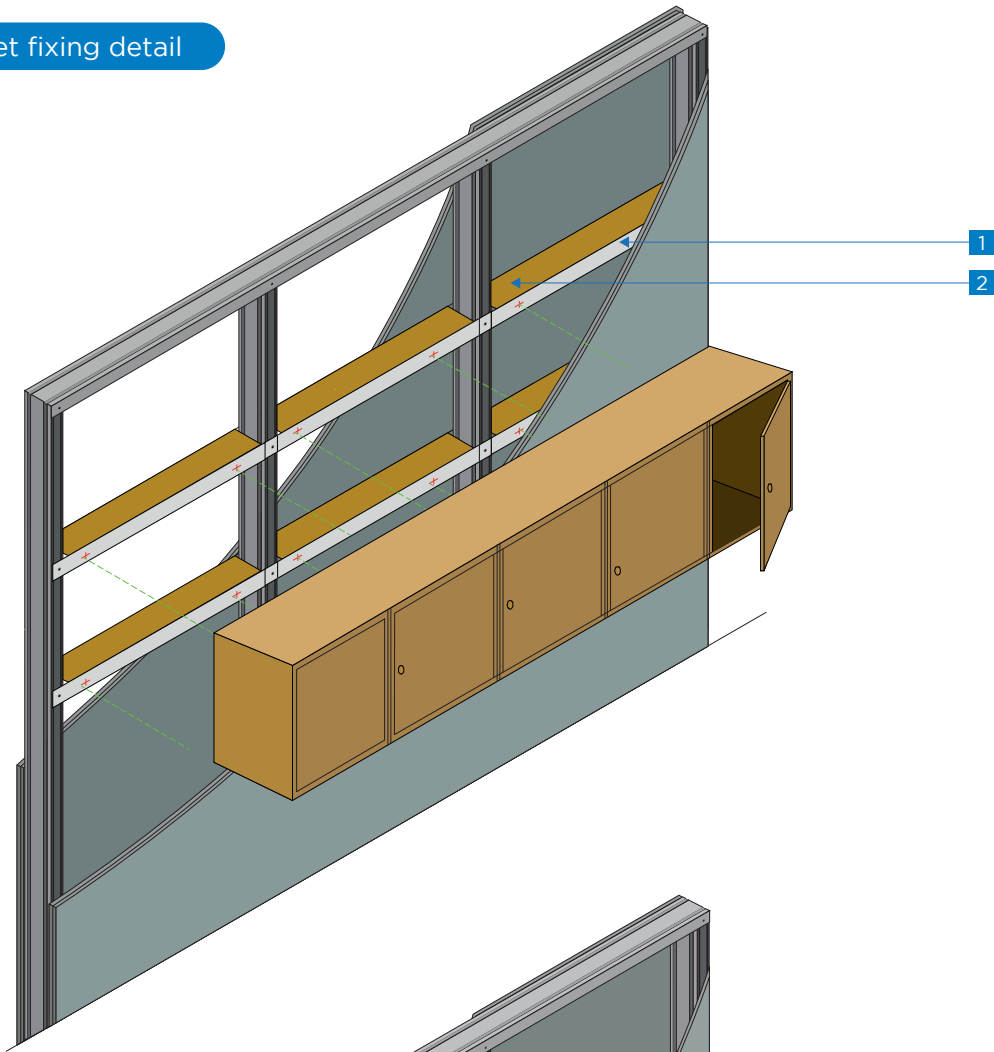
7. Electric box detail - Avoid back-to-back sockets



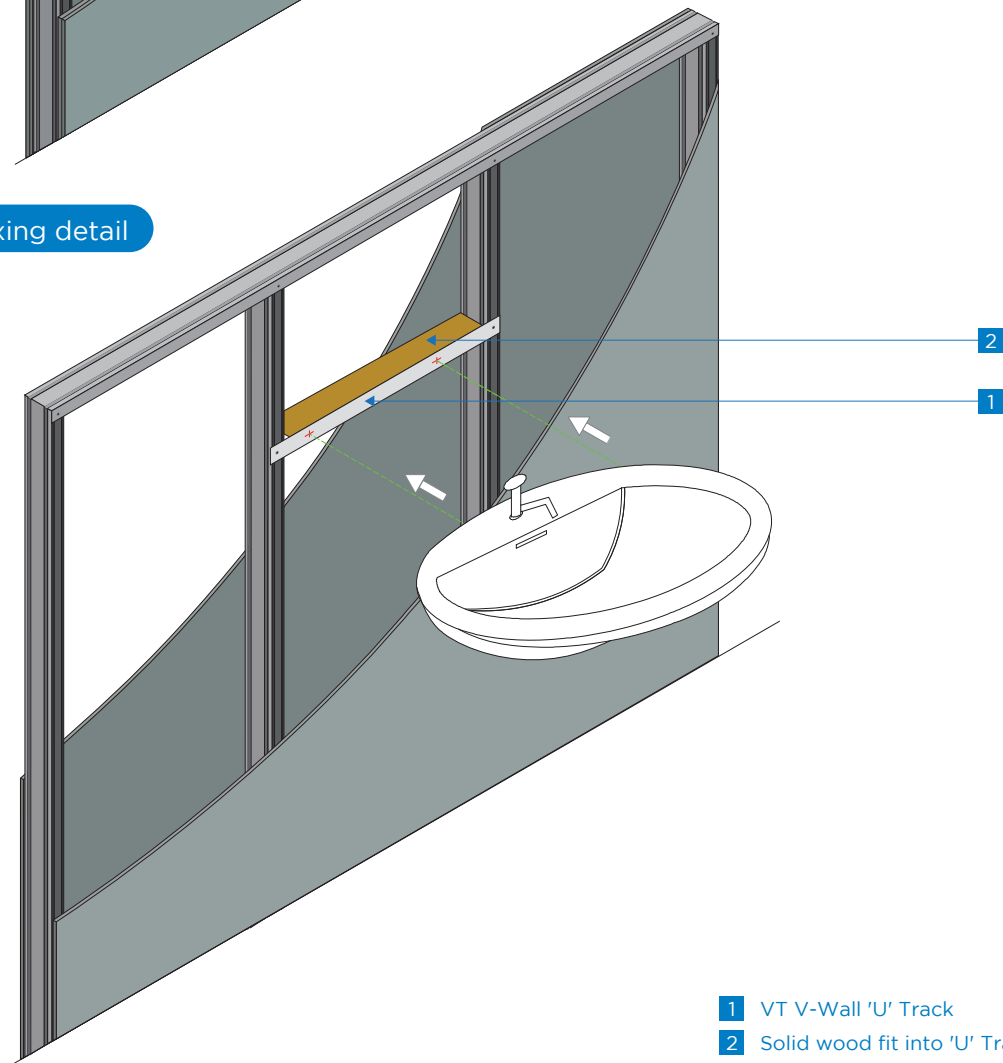
- | | |
|--|---|
| 1 VT V-Wall 'C' Stud | 7 Hilti Sealant CP-606 |
| 2 VT V-Wall 'U' Track cut and bent down to form window frame | 8 Rockwool 80 kg/m ³ , 50 mm thick |
| 3 VT V-Wall 'U' Track cut and bent up to form window frame | 9 Glasswool |
| 4 VT V-Wall 'U' Track to sleeve studs | |
| 5 Gyproc Plasterboard | |
| 6 Socket box | |

Typical Construction Details

8. Kitchen cabinet fixing detail



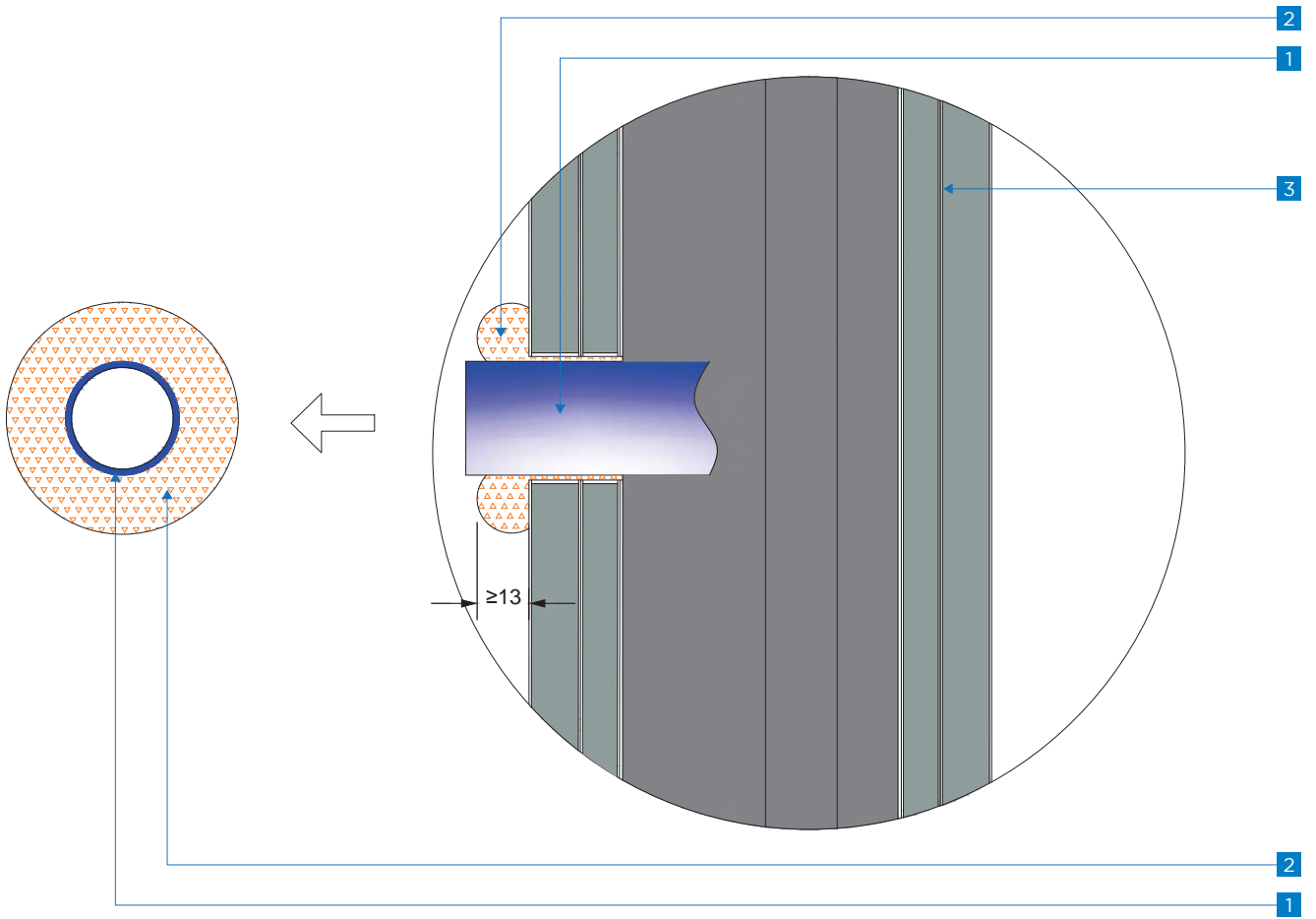
9. Wash basin fixing detail



- 1 VT V-Wall 'U' Track
- 2 Solid wood fit into 'U' Track

Typical Construction Details

10. Pipe penetration



- 1 Plastic Pipe
- 2 Hilti FS One Max (min 13mm thick)
- 3 Gyproc Plasterboard

