

## GypCeil/ GypCeil AQUA - Direct fixing

GypCeil and GypCeil AQUA are suspended concealed ceilings, using furring channel interlocking to carrying VTC-Basi channel,

suitable for most internal applications, can be used with Gyproc plasterboards to create a seamless, monolithic appearance.



Fixing	Application	Load capacity*		
		Point load Kg	Linear load Kg/m	Distributes load Kg/m <sup>2</sup>
Direct	Dry/Wet	7.5	13	26

### Key facts

- High level of design flexibility
- Smooth and seamless surface decoration
- Can be used with most water based acrylic paints and breathable wallpaper
- Services inspection and access points are easily included during design or installation
- Higher level of load carrying capacity as compared to clip fixing system

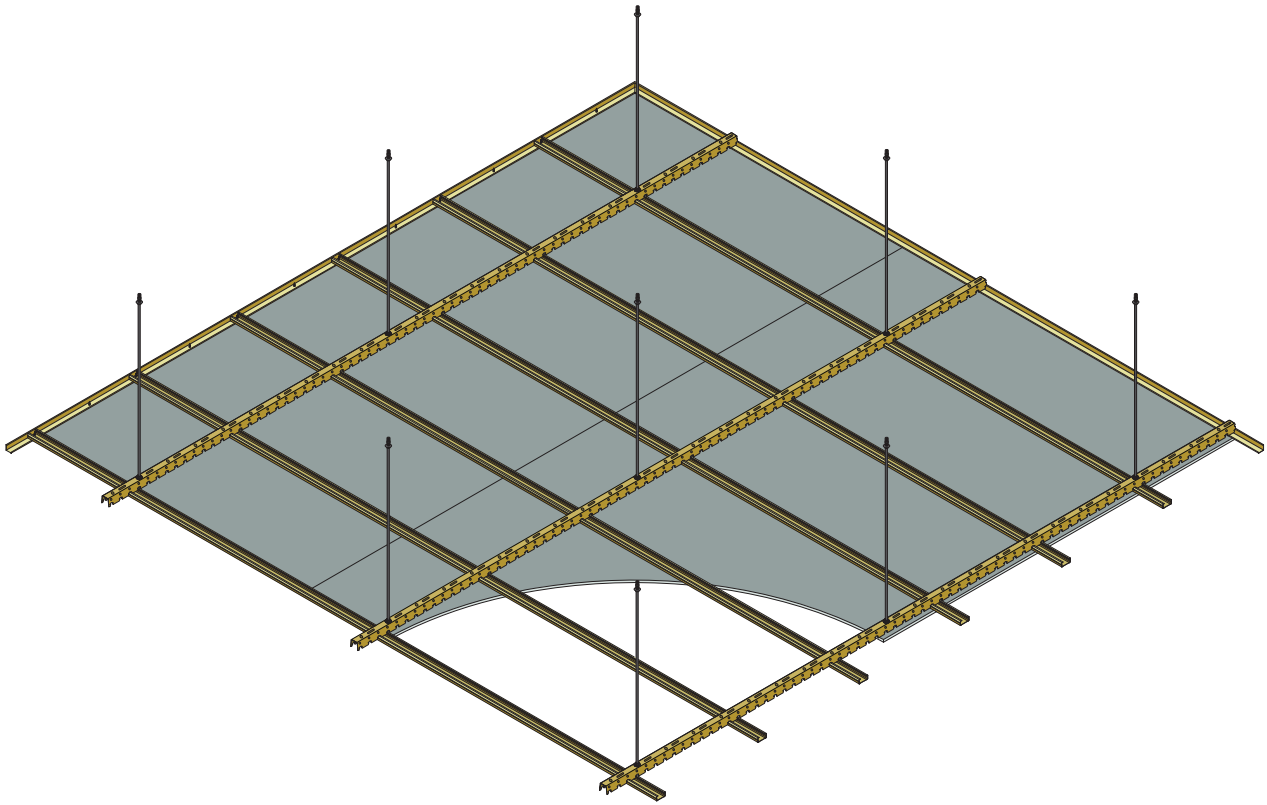
### Applications

A wide range of residential and commercial applications

### Sector

- ✓ Residential
- ✓ Office
- ✓ Education
- ✓ Hotel
- ✓ Healthcare

VTC-BASI – single layer board membrane



System	Board type	Application	Load capacity*		
			Point load Kg	Linear load Kg/m	Distributes load Kg/m <sup>2</sup>
GypCeil	Gyproc Classic 9mm	Dry	7.5	13	26
GypCeil AQUA	Gyproc Moisture Resistant 9mm	Wet			

**Note**

\*Based on a limiting deflection of L/240, refer to Strength and Robustness Principle page 29. The quoted performances are achieved only if the system comprises only genuine branded Saint-Gobain Viet Nam components: Gyproc plasterboards, Vinh Tuong metal framings, Vinh Tuong accessories, Gyp-filler jointing compound and any other materials specified in the tested systems.

## System components

### Metal frame products



Carrying channel  
VTC-Basi3050



Furring channel  
VTC-Alpha4000/  
VTC-Basi4000



Wall angle  
VTC-18/22

### Board products



Gyproc Classic  
9mm/12.5mm



Gyproc Moisture  
Resistant 9mm

### Fixing and Finishing products



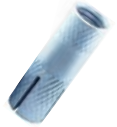
Nail



VT Drywall Screw



VT Wafer Head Screw



Suspension Bolt



Suspension Rod



Nut



Gyp-Filler  
Jointing Compound



VT Paper Tape



VT Glass Fiber Mesh Tape

Installation overview



Determine the height at which the concealed ceiling will be installed. Fix wall angle VTC-18/22 on the wall with appropriate fixing

Position first suspension rod maximum of 400mm from the wall, and consecutive suspension rods should be placed with center to center distance of 1000mm. Position first carrying channel VTC-Basi3050 at maximum of 400mm from the wall.

Connect wall angle VTC-18/22 to furring channel VTC-Alpha4000/ VTC-Basi4000 by VT Wafer Head Screws. Connect carrying

channel VTC-Basi3050 to furring channel VTC Alpha4000/ VTC Basi4000 by interlock, with center to center distance 406mm.

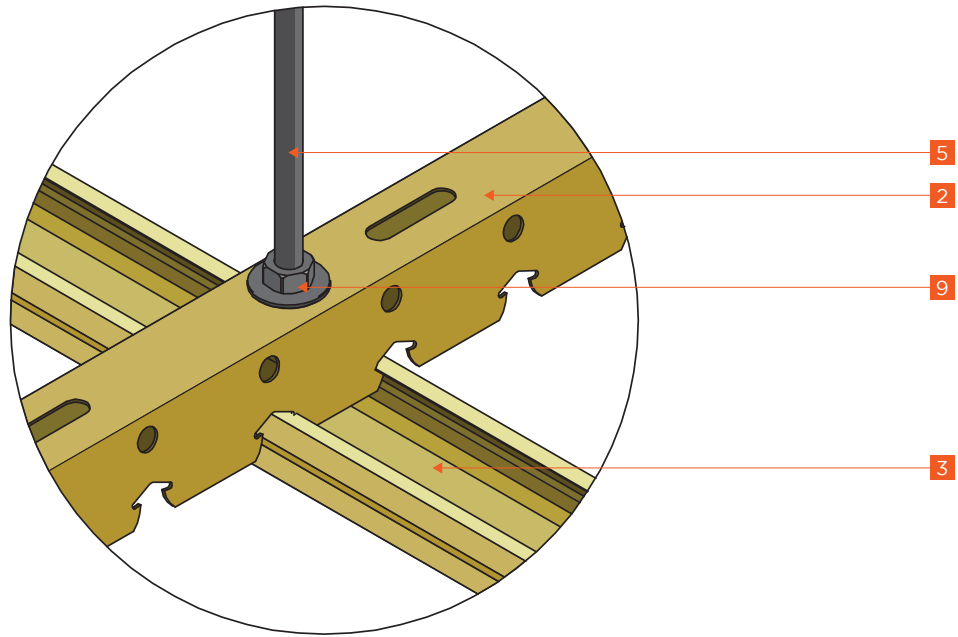
Adjust all metal framing to design level.

Fix Gyproc plasterboard to furring channel VTC-Alpha 4000/ VTC-Basi4000 with VT drywall screws in appropriate centers, the length of board must be fixed parallel to the carrying channel.

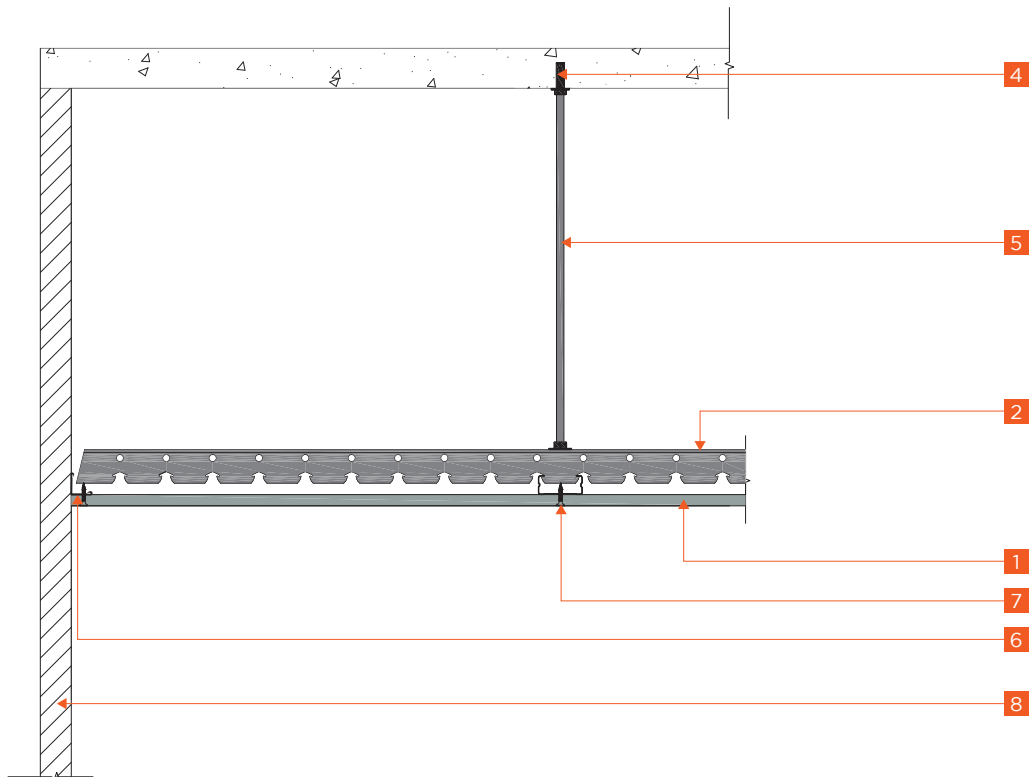
Treat all joints with VT Paper Tape or VT Glass Fiber Mesh Tape and Gyp-Filler Jointing Compound.

For full installation details, refer to Site Book.

## 1 Direct fixing detail



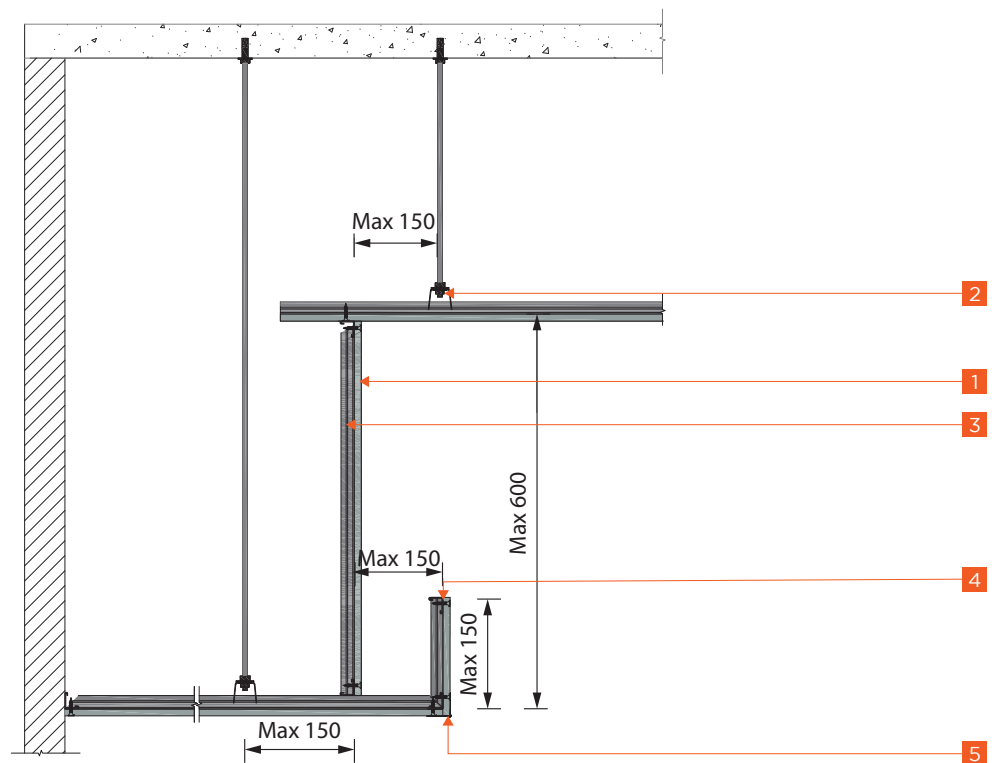
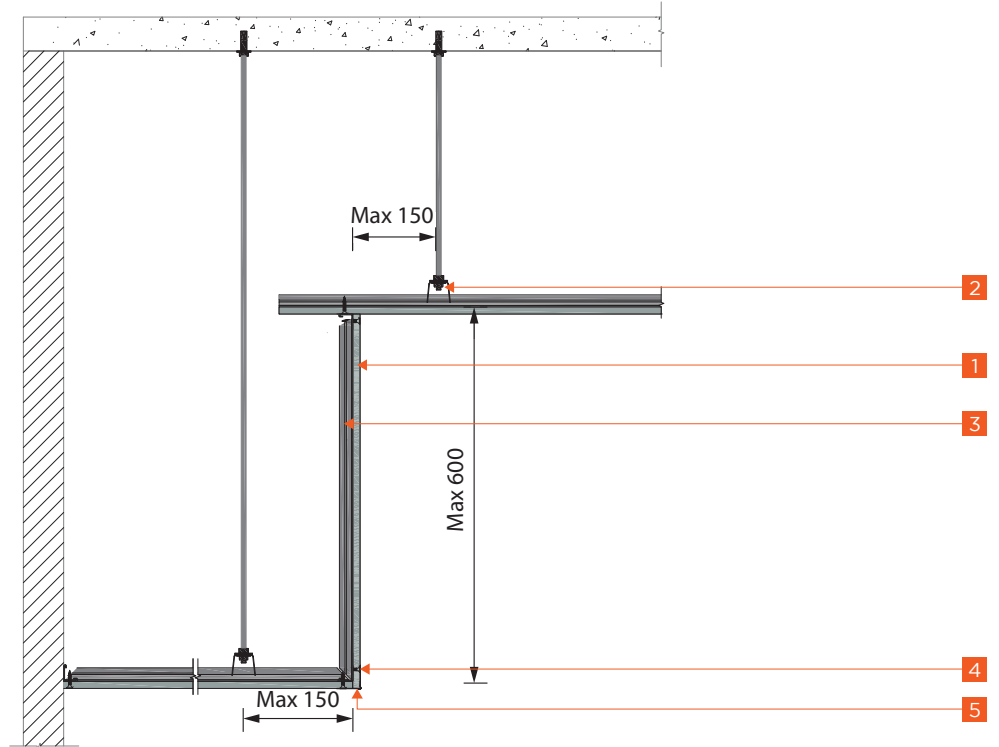
## 2 Connection detail to perimeter wall



- |                                              |                    |
|----------------------------------------------|--------------------|
| 1 Gyproc plasterboard                        | 7 VT Drywall Screw |
| 2 Carrying channel VTC-Basi3050              | 8 Existing wall    |
| 3 Furring channel VTC-Alpha4000/VTC-Basi4000 | 9 Nut              |
| 4 Expansion Bolt                             |                    |
| 5 Suspension Rod                             |                    |
| 6 Wall Angle VTC18/22                        |                    |

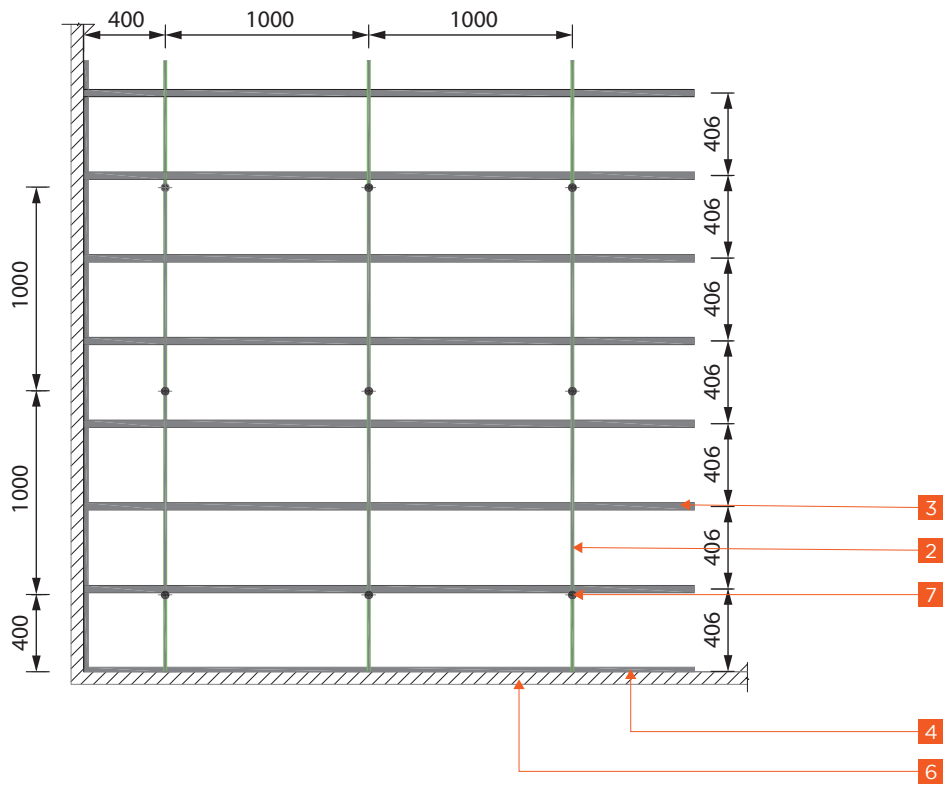
Construction details

3 Change of level detail

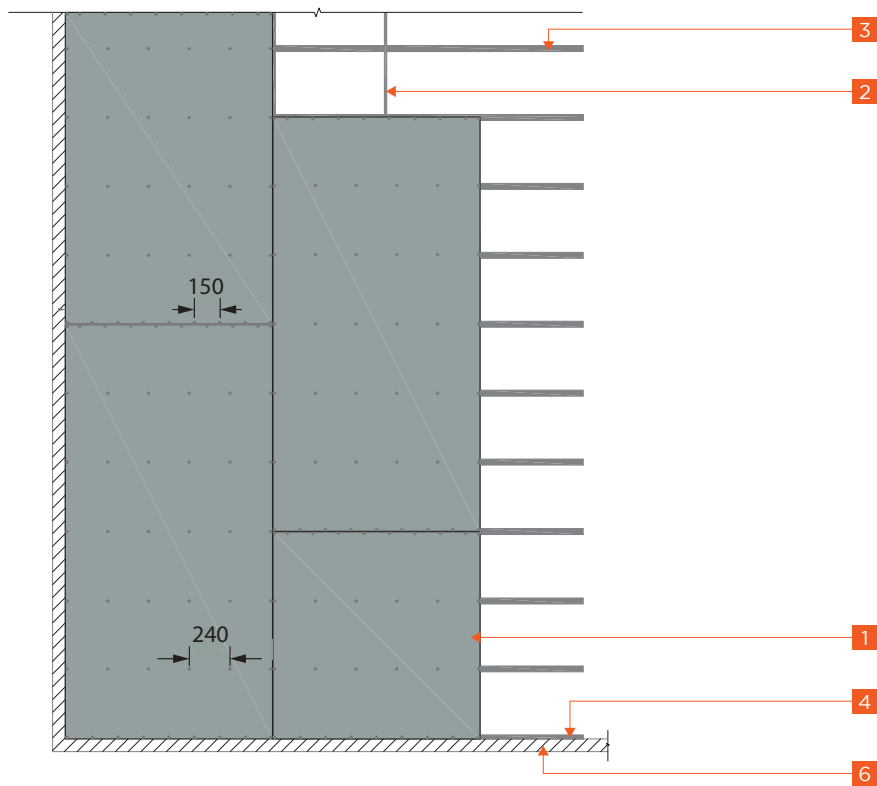


- 1 Gyproc plasterboard
- 2 Carrying channel VTC-Basi3050
- 3 Furring channel VTC-Alpha4000/VTC-Basi4000
- 4 Wall Angle VTC-18/22
- 5 VT Corner Bead

## 4 Metal framing structure

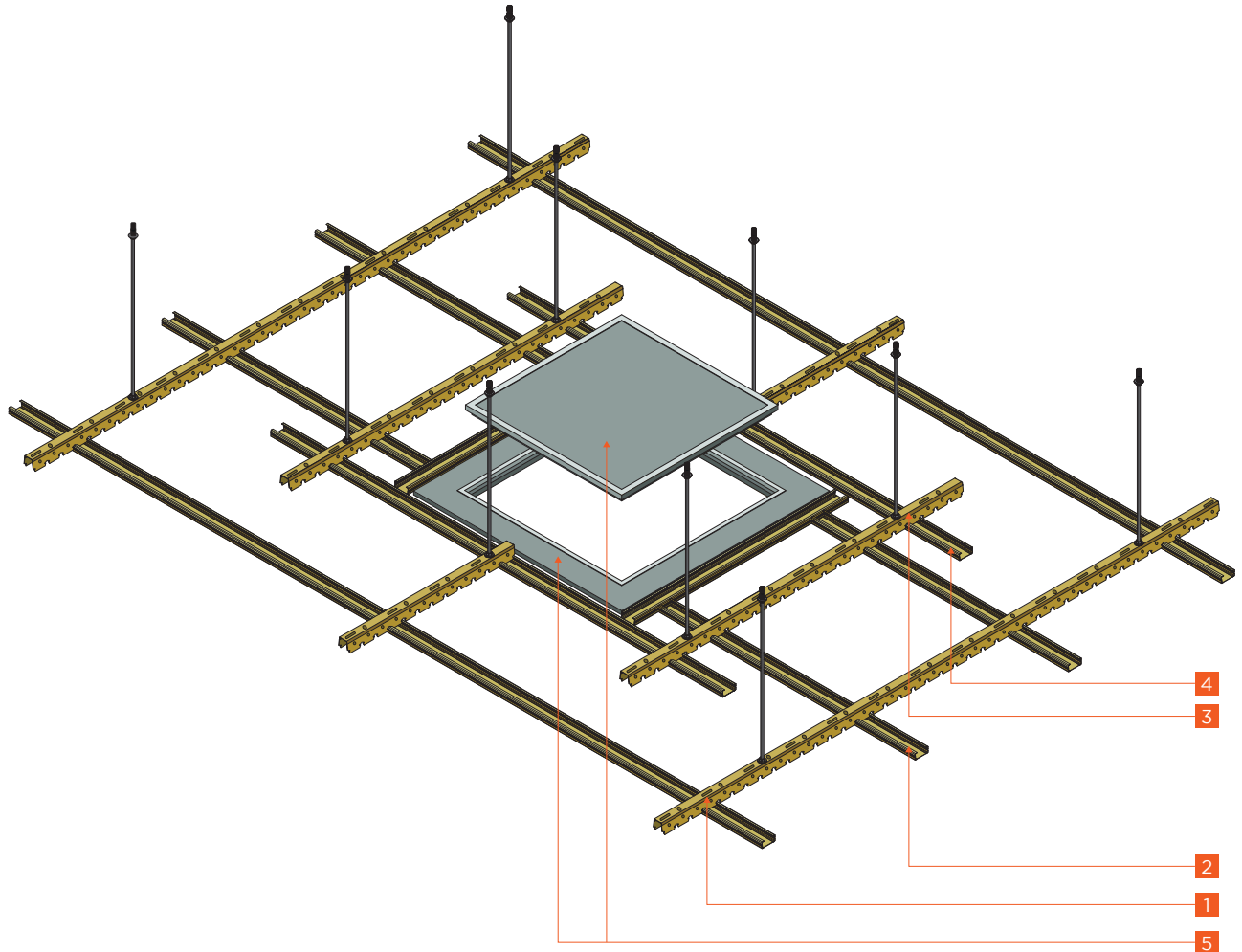


## 5 Plasterboard fixing detail



- 1** Gyproc plasterboard
- 2** Carrying channel VTC-Basi3050
- 3** Furring channel VTC-Alpha4000/VTC-Basi4000
- 4** Wall Angle VTC18/22
- 5** VT Drywall Screw
- 6** Existing wall
- 7** Suspension Rod

## 6 Access panel detail



- 1 Carrying channel VTC-Basi3050
- 2 Furring channel VTC-Alpha4000/VTC-Basi4000
- 3 Additional VTC - Basi3050 to support Access panel
- 4 Additional VTC - Alpha4000 to fix Access panel
- 5 Access panel